

**BALDOR® • RELIANCE** 

**Product Information Packet**

**EFM4404T**

**75HP, 1185RPM, 3PH, 60HZ, 405T, TEFC, FOOT, F2**

Part Detail							
Revision:	G	Status:	PRD/A	Change #:		Proprietary:	No
Type:	AC	Elec. Spec:	A40WG0770	CD Diagram:	416820-002	Mfg Plant:	
Mech. Spec:		Layout:	617429-629	Poles:	06	Created Date:	06-07-2014
Base:		Eff. Date:	04-06-2018	Leads:	3#2,6#4		

Specs			
Catalog Number:	EFM4404T	Heater Indicator:	No Heater
Enclosure:	TEFC	Insulation Class:	F
Frame:	405T	Inverter Code:	Inverter Ready
Frame Material:	Iron	IP Rating:	NONE
Output @ Frequency:	75.000 HP @ 60 HZ	KVA Code:	G
Synchronous Speed @ Frequency:	1200 RPM @ 60 HZ	Lifting Lugs:	Standard Lifting Lugs
Voltage @ Frequency:	230.0 V @ 60 HZ	Motor Lead Quantity/Wire Size:	3 @ 2 AWG
	460.0 V @ 60 HZ	Motor Type:	A40064M
XP Class and Group:	None	Mounting Arrangement:	F2
XP Division:	Not Applicable	Power Factor:	85
Agency Approvals:	CCSA US	Product Family:	General Industrial
	CSA EEV	Pulley End Bearing Type:	Ball
Auxillary Box:	No Auxillary Box	Pulley Face Code:	Standard
Base Indicator:	Rigid	Shaft Ground Indicator:	No Shaft Grounding
Bearing Grease Type:	Polyrex EM (-20F +300F)	Shaft Rotation:	Reversible
Current @ Voltage:	173.800 A @ 230.0 V	Shaft Slinger Indicator:	No Slinger
	86.900 A @ 460.0 V	Speed Code:	Single Speed
Design Code:	B	Motor Standards:	NEMA

<b>Drip Cover:</b>	No Drip Cover	<b>Starting Method:</b>	Direct on line
<b>Duty Rating:</b>	CONT	<b>Thermal Device - Bearing:</b>	NONE (OLD)
<b>Feedback Device:</b>	NO FEEDBACK	<b>Thermal Device - Winding:</b>	None

## Nameplate NP2383L

CAT.NO.	EFM4404T	SPEC NO.	A40-6087-1503						
HP	75	AMPS	174/86.9	VOLTS	230/460	DESIGN	B		
FRAME	405T	RPM	1185	HZ	60	AMB	40	SF	1.15
DRIVE END BEARING	80BC03J30X	PHASE	3	DUTY	CONT	INSUL.CLASS	F		
OPP D.E. BEARING	80BC03J30X	TYPE	P	ENCL	TEFC	CODE	G		
SER.NO.		POWER FACTOR	85	NEMA-NOM-EFFICIENCY	95				
NEMA NOM/CSA QUOTED EFF		MAX CORR KVAR	15	GUARANTEED EFFICIENCY	94.1				
		MOTOR WEIGHT							

Nameplate NP2496L

MOBIL POLYREX EM

Parts List		
Part Number	Description	Quantity
SA282220	SA A40-6087-1503	1.000 EA
RA268529	RA A40-6087-1503	1.000 EA
000613006PU	N/P (RELEASE QTY 10,000) UL CSA LABEL	1.000 EA
000692000VD	LABEL WARNING	1.000 EA
000692000FF	N/P	1.000 EA
NP2383L	SUPER-E ,SS, CC, CSA-C US, CSA EEV	1.000 EA
421948032	LABEL, MYLAR	1.000 EA
004824015A	GREASE POLYREX EM	0.884 LB
032018008CK	HHCS 3/8-16X1L PLATED	4.000 EA
032018008CK	HHCS 3/8-16X1L PLATED	4.000 EA
032018020EK	HHCS 5/8-11X2-1/2 PLTD.	4.000 EA
032018024CK	HHCS 3/8-16X3 PLTD.	3.000 EA
034000014AB	WSH ID.406 OD.812 TH.065	4.000 EA
034180012DA	KEY 1X4X1/4X1-1/2 L	1.000 EA
034530052AB	P/NIP 1/8X6-1/2 GALV.	1.000 EA
034530056BB	P/NIP 1/4X7 SCHED 40	1.000 EA
034690001AB	1/8" NPT SQHDPLG	1.000 EA
034692005AA	P PLUG 3/4"BLK.	1.000 EA
034631002AB	BUSH 1/4 TO 1/8 PLTD.	1.000 EA
034690001AB	1/8" NPT SQHDPLG	1.000 EA
078550001H	FAN KB 120/60 360	1.000 EA
083198127A	G400 MOLDED FAN COVER	1.000 EA
089412501A	BRKT FTMT G400 FIN MACH 6316 89412500WCA	1.000 EA
410700000DA	WAVY SPRING WASHER	1.000 EA

Parts List (continued)		
Part Number	Description	Quantity
415072001B	CLAMP	1.000 EA
415096002A	CPLG 1/8 HEX TYPE	1.000 EA
032018020EK	HHCS 5/8-11X2-1/2 PLTD.	4.000 EA
032018024CK	HHCS 3/8-16X3 PLTD.	3.000 EA
034690002AB	PPLG 1/4" PLTD.	1.000 EA
034690001AB	1/8" NPT SQHDPLG	1.000 EA
089412501A	BRKT FTMT G400 FIN MACH 6316 89412500WCA	1.000 EA
032018005AK	HHCS 1/4-20X5/8 PLATED	4.000 EA
033512004LB	HHTTS 1/4-20X1/2 PLTD.	1.000 EA
035000001A	ALFTG 1/8" 1610-BL	1.000 EA
035000001A	ALFTG 1/8" 1610-BL	1.000 EA
043292000AJ	GASK 320-400	1.000 EA
077176000L	C/BOX, 360-400	1.000 EA
077176001A	CBOXC, PAINTED 360-400	1.000 EA
402731001A	GASK 360-440	1.000 EA
406099000A	PLUG - FAN COVER 320-440	1.000 EA
415000103D	T/LUG #4AWG-1/0AWG W/HOLE FOR .250 BOLT	1.000 EA
418150003A	GREASE FITTING CAP	1.000 EA
MG1025Y17	WILKOFAS, 789.701, SUPER E PEARL GOLD	0.375 GA
418150003A	GREASE FITTING CAP	1.000 EA
033775004EA	DRSCR #6-1/4 304 S.S.	2.000 EA
034180044JA	KEY 3/4X3/4X5-1/2 L	1.000 EA
NP2496L	MOTOR LUBE NAMEPLATE	1.000 EA
604797045	STD. 400 FRAME SKID	1.000 EA

Product Information Packet: EFM4404T - 75HP,1185RPM,3PH,60HZ,405T,TEFC,FOOT,F2

032510024D	CARRIAGE BOLT - 444	2.000 EA
034001014AB	FLAT WASHER 3/8"PLATED	2.000 EA
034001016AB	WSHR .562ID 1.375OD .109	2.000 EA
033300014AC	HEX NUT, SHIPPING - 400	2.000 EA
604799003C	SHIPPING BAG -Replaced by 604799003C	1.000 EA



REL. S.O.	FRAME	HP	TYPE	PHASE/HERTZ	RPM	VOLTS
	405T	75	P	3/60	1185	230/460
AMPS	DUTY	AMB °C/INSUL.	S.F.	NEMA DESIGN	CODE LETTER	ENCL.
174/86.9	CONT	40/F	1.15	B	G	TEFC-XEX
E/S	ROTOR	TEST S.O.	TEST DATE	STATOR RES @25 °C OHMS (BETWEEN LINES)		
496234	418142-71-EE	---	---	.0215/.0860		

PERFORMANCE

LOAD	HP	AMPERES	RPM	POWER FACTOR %	EFFICIENCY %
NO LOAD	0	31.0	1200	4.11	0
1/4	18.8	37.2	1197	51.1	92.5
2/4	37.5	50.7	1194	73.0	95.0
3/4	56.2	67.7	1190	81.6	95.3
4/4	75.0	86.9	1187	85.1	95.0
5/4	93.8	108	1183	86.2	94.4

SPEED TORQUE

	RPM	TORQUE % FULL LOAD	TORQUE LB.-FT.	AMPERES
LOCKED ROTOR	0	165	549	541
PULL UP	400	156	519	509
BREAKDOWN	1132	243	808	302
FULL LOAD	1187	100	332	86.9

AMPERES SHOWN FOR 460. VOLT CONNECTION. IF OTHER VOLTAGE CONNECTIONS ARE AVAILABLE, THE AMPERES WILL VARY INVERSELY WITH THE RATED VOLTAGE

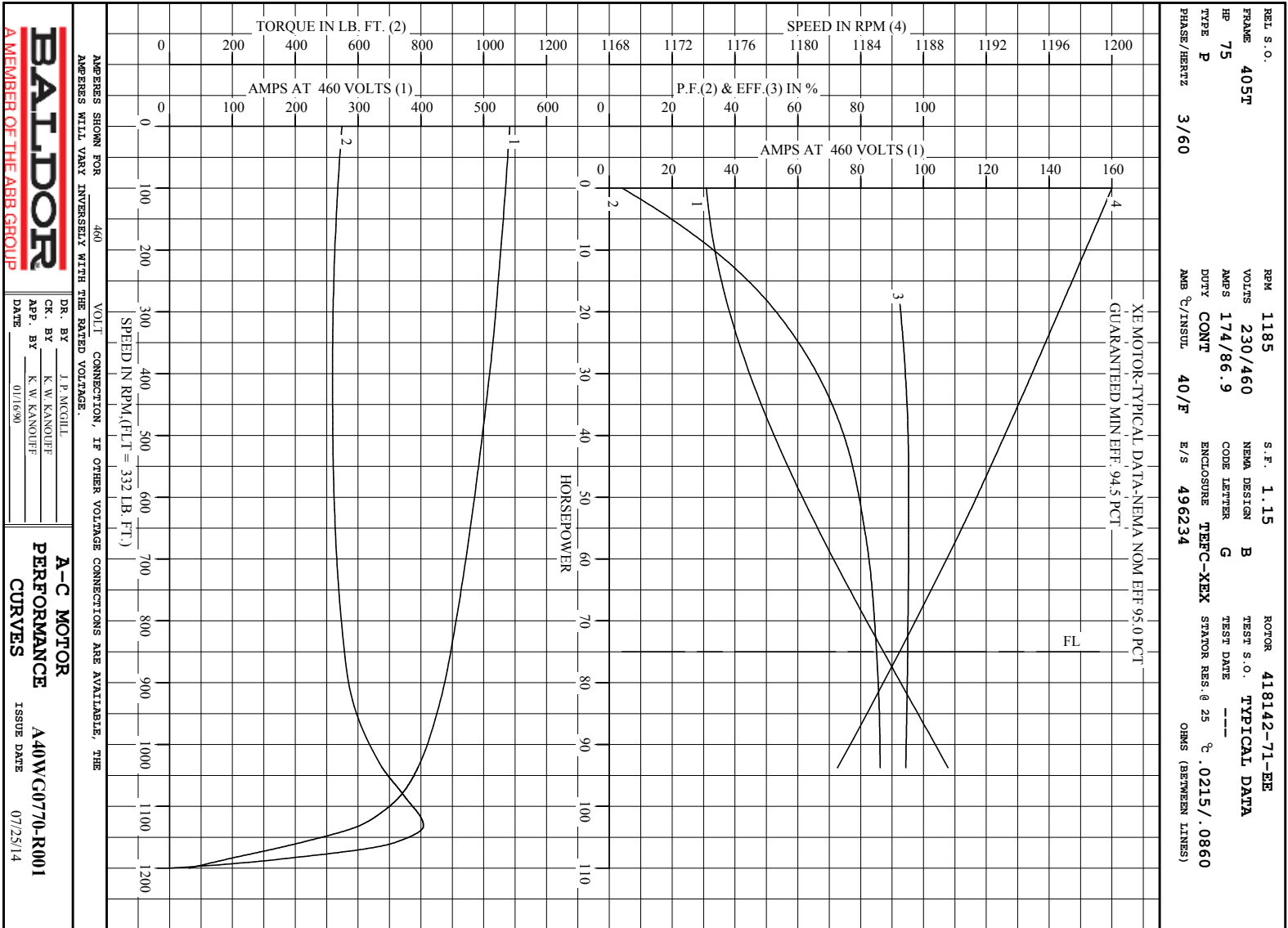
REMARKS: TYPICAL DATA

XE MOTOR-TYPICAL DATA-NEMA NOM EFF 95.0 PCT  
GUARANTEED MIN EFF. 94.5 PCT



DR. BY J. P. MCGILL  
CK. BY K. W. KANOUE  
APP. BY K. W. KANOUE  
DATE 01/16/90

A-C MOTOR PERFORMANCE DATA  
A40WG0770-R001  
ISSUE DATE 07/25/14

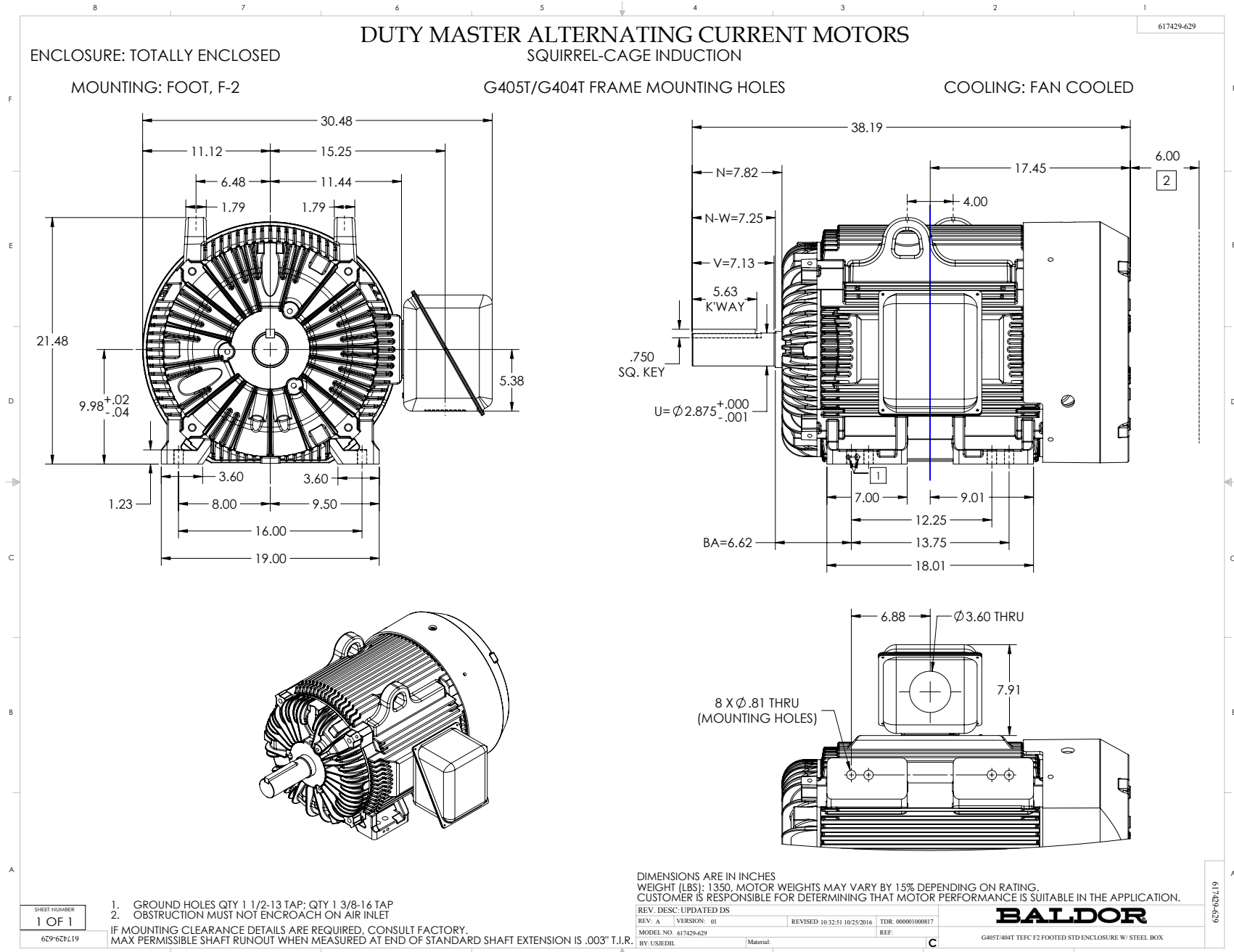


**BALDOR**  
A MEMBER OF THE ABB GROUP

DR. BY J. P. MCCULL  
 CK. BY K. W. KANOUFF  
 APP. BY K. W. KANOUFF  
 DATE 01/6/90

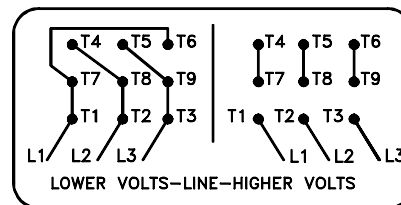
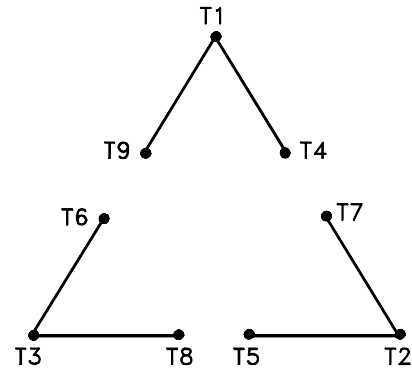
**A-C MOTOR**  
**PERFORMANCE**  
**CURVES**  
 A40WC070-R001  
 ISSUE DATE 07/25/14

Printed on 7/25/14 18:12 @ pasc-motoring



416820-002

A-C MOTOR  
 CONNECTION DIAGRAM  
 STANDARD 9 LEAD DELTA-CONNECTED



(N.P. 1575-B)

416820-002

REV. DESC: LOADED TO BUS, C/R 335225		
REV. LTR: -	VERSION: 00	TDR: 000000538207
FILE: \MGA\00000\661	REVISED: 10: 47: 51 04/30/2010	
MTL: -	BY: RAGRA	

**BALDOR**

CONN DIAG - STANDARD 9 LEAD, DELTA-CONNECTED

SH 1 of 1

Marketing maintained PDF of MN408:

<http://www.baldor.com/support/Literature/Load.ashx/MN408?ManNumber=MN408>

Marketing maintained PDF of MN416:

<http://www.baldor.com/support/Literature/Load.ashx/MN416?ManNumber=MN416>